

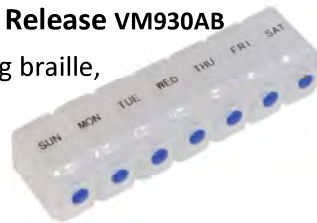
Fact Sheet



Daily Living Aids *Home*

Pill Dispenser Push Button Release VM930AB

- * Weekday dispenser including braille,
- * Simple push button release



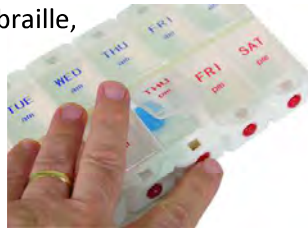
Pill Bottle Opener/Magnifier VM993AM

- * Ribbed inside and our for superior grip
- * Includes 4x magnifier for reading labels



AM/PM Pill Dispenser Push Button Release VM931AB

- * Weekday dispenser including braille,
- * Simple push button release
- * 2 compartment per day



Compact Weekday Pill Dispenser VM930*

- * Easy to use, click button to rotate, flip lid to dispense tablets



Colourful One Month Dispenser VM931AC

- * Clip out Individual day compartments
- * 32 compartments divided into AM & PM
- * Ideal for day outings



Extra Large Pill Dispenser VM930V

- * Ideal for larger tablets & vitamins
- * Transparent making identifying easier
- * 6 compartments



Large Weekly Dispenser VM930B

- * Braille for visually impaired
- * Easy to use flip top lids
- * Large day markings



3in1 Pill Cutter/Crusher/Storage VM927AB

- * Ideal for those with limited dexterity
- * Integrated safety blade
- * 2 compartment storage



Pill Box Key Ring VM930C



Eye Drop Dispenser VM925E

- * Self administer eye drop medication
- * Can be used with majority sized bottles
- * Lightweight and portable
- * Ideal for travel

Pill Puncher VM926A

- * Pops pills from blister pack
- * Easy to use with one hand



Pill Storage & Tablet Splitter VM925A

- * Splits tablets up to 2cm in length

Your Local Agent

QLD 6-8 Imboon St, Deception Bay 4508
Ph 1300 368 085 qld@rehabandmobility.com.au
www.rehabandmobility.com.au

Fact Sheet



Daily Living Aids Home

Magnifier with Light VM966T



- * Compact & Lightweight
- * Ideal for use in car
- * Requires 1xCR2016 battery



Lumbar Support Belt VW305M VW305L

- * Helps support lower back in upright position
- * Reduces strain and pain.
- * Provides warmth and compression
- * High quality neoprene, elastic belt and Velcro
- * The belt can be used at any time excluding sleeping

Magnifier with LED Lights VM966M



- * 4x magnification
- * Requires 2xAAA batteries



Handsfree Magnifier VM966B

- * 100mm Acrylic frame
- * Adjustable neck cord

Heat Pads VM723*



- * Environmentally friendly, compact reusable design
- * Great for rehabilitation and sports injuries
- * Provides heat for up to 2 hours (up to 54 deg. C/130 deg. F)
- * Instant heat with just one click



Inflatable Donut Cushion VM934B Blue

Red With Pump
VM934BB



- * Encourages better posture
- * Relieves pressure and provides comfort
- * Inflatable cushion ideal for travel



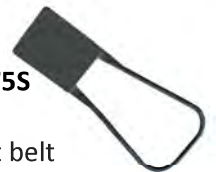
Sheet Magnifier VM966A

- * 2 x Magnification
- * Ideal for reading newspapers and large documents
- * Lightweight and Flexible



Seat Belt Helper VM975S

- * Aids those with lesser movement to pull seat belt



Memory Foam Neck Cushion VM936A*

- * Firm memory foam inner with soft velour cover
- * Removable cover for easy cleaning
- * Assorted colours



Your Local Agent

QLD 6-8 Imboon St, Deception Bay 4508
Ph 1300 368 085 qld@rehabandmobility.com.au
www.rehabandmobility.com.au



Daily Living Aids Home

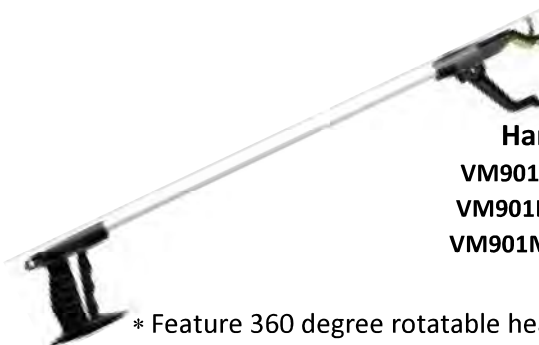
3 Key Turner VM932A

- * Provides good leverage to turn keys in locks
- * Ergonomically designed handle
- * Hold three Yale or Mortice type door keys
- * Fits neatly into bags and lightweight



Handy Reacher

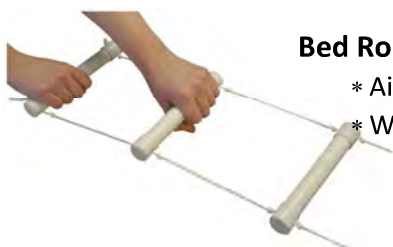
- VM901F 600mm (24")
- VM901H 750mm (30")
- VM901M 900mm (36")



- * Feature 360 degree rotatable head
- * Magnetized tip for retrieving small metallic items
- * Lightweight and durable construction

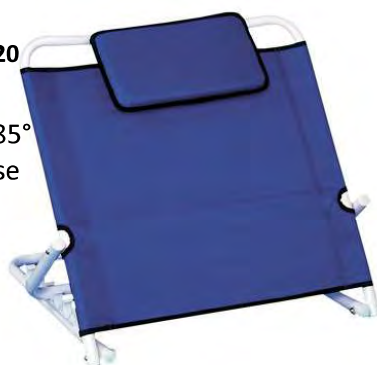
Bed Rope Ladder VM937

- * Aids sitting up in bed
- * Weight capacity 127kg



Birling Bed Back Rest VG820

- * Light but sturdy frame
- * 5 angle adjustments up to 85°
- * Used with pillows suits those unable to lie flat in bed
- * Weight Capacity 108kg



Transfer Turntable VM935A

Weight Capacity 100kg



- * Assists in patient transfer
- * Smooth swivel action
- * Sturdy and robust ABS plastic construction
- * Helps reduce risk of injury to carer



Bed / Chair Raisers

- VG822 H100mm (9")
- VG823 H150mm (14")

- * Placed under leg/feet of chair or bed
- * Strong one piece plastic
- * Internal measure 90mm
- * Non slip rubber insert
- * 4 per set



Flexible Transfer Turntable VM933A

Weight Capacity 100kg

- * 360° smooth rotation
- * Used in car or around the home
- * Padded top with flexible base

Swivel Seat Cushion VM933B

Weight Capacity 115kg

- * 360° smooth rotation
- * Used in car or around the home
- * Cushioned surface with removable washable cover
- * Sturdy non-slip base



Your Local Agent

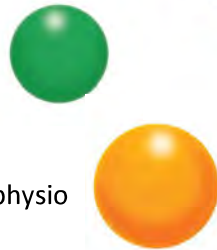
QLD 6-8 Imboon St, Deception Bay 4508
Ph 1300 368 085 qld@rehabandmobility.com.au
www.rehabandmobility.com.au



Daily Living Aids Home

Foam Stress Ball VM708

- * Strengthens grip
- * Ideal for rehab/exercise/physio
- * Useful to relieve stress



Vehicle Assist Handle/Bar VVA131

- * Easy to store in door recess
- * Lightweight
- * Seatbelt cutter to aid if trapped



Jumbo Playing Cards VM704



Jumbo, hard-wearing, laminated paper playing cards, more than 50% taller than an average playing card

Wall Mounted Key Safe VM844



- * Wall Mounted with supplied fixings
- * Weather resistant with removable rubber cover
- * 10 digit mechanical key safe



Tap Turners VM985

- * Designed to fit both crosshead and crystal taps
- * Supplied in a colour coded pair

Card Holder VM705

Set of 2



This pair of Playing Card Holders is the ideal, hands-free games set and will hold up to 15 standard playing cards each



Folding Adjustable Tray VM938AB

- * Multifunctional - dining, reading, writing
- * Easy Clean laminate top
- * Foldable legs
- * Maximum load 2kg

Threading Helper VM968



- * Large eye threader
- * Stable base
- * Built in magnifier

Armrest Organiser VG840B

- * Adjustable to fit most armrests
- * Great for storing remote controls, glasses and phones
- * Sturdy tray ideal for drinks or snacks



Talking Analogue Clock VM310

- * Speaks day and time loud and clear
- * Snooze function
- * Requires 2XAA battery
- * Lightweight and easy to use





Daily Living Aids *Home*

Garden Kneeler VL130

- * Sturdy, multi-use gardening aid
- * Folds neatly for storage
- * Can be used as a seat or kneeler



Chair Protector Cover GH075A

- * Hand washable
- * Secures with adjustable strap
- * Easy to fold and store when not in use



Lap Tray with Bean Bag Cushion GH152 Vintage GH153 Floral

- * Moulds to shape of your legs for stability
- * Great for meals, writing, crafts and puzzles
- * Easy to clean
- * Flat tray surface 39.5x29.5cm



Melamine Serving Tray GH152A Vintage GH153A Floral

- * Moulded carry handles and raised sides
- * Easy to clean
- * 21x14cm

