



## Solo Bed Lever (Slatted)



VY428S (Bulk - 6 Pieces)

VY428SA (Single Boxed)

Fixing and Maintenance Instructions

## INTRODUCTION

This Bed Lever is for use with slatted beds and can be fitted to single, double, queen and king size beds. Not for use on divan beds, please use VY438 for divan beds.

The Bed Lever is not designed to prevent users falling from their bed. This device is suitable for adult use only, it is not suitable for use with children.

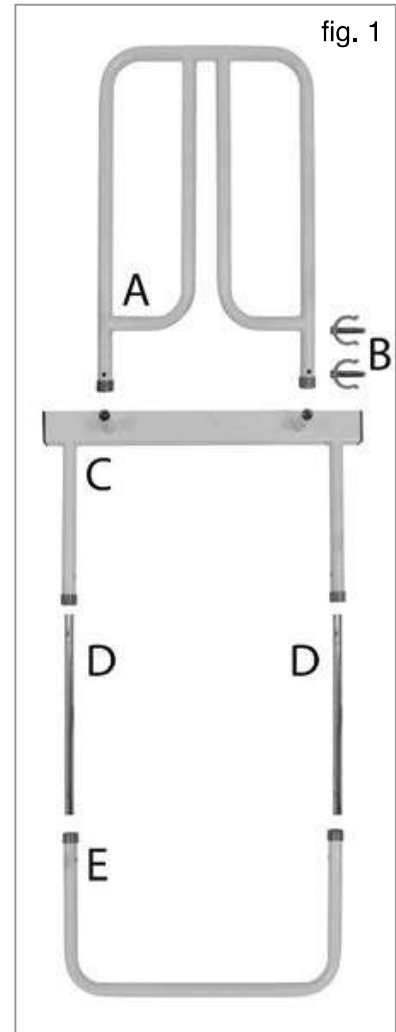
**NB. This equipment must be installed by a competent person and a risk assessment undertaken as to the suitability of the Bed Lever for the particular user and user's bed. We would refer customers to 'Bed Rail Risk Management' LAC Number 79/8 published by the HSE.**

**VY428S/VY428SA                      160 kg (25 st.) weight limit**

**Note: Do not exceed the weight limit stated – doing so could put the user at risk.**

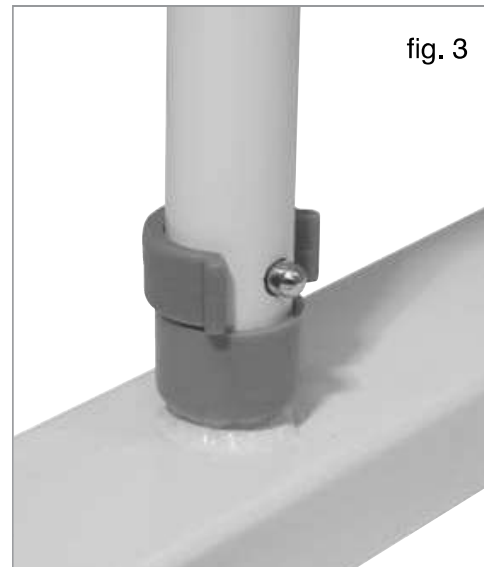
## BEFORE USE

- Carefully remove all packaging. Avoid using any knives or other sharp instruments as this may damage the surface of the product.
- Check that all parts are present before assembly (see fig. 1). If any parts are missing do not attempt assembly and contact your supplier.
- Check the product for any visible damage. If you see any damage or suspect a fault, do not use your product as it may compromise your safety, but contact your supplier for support.



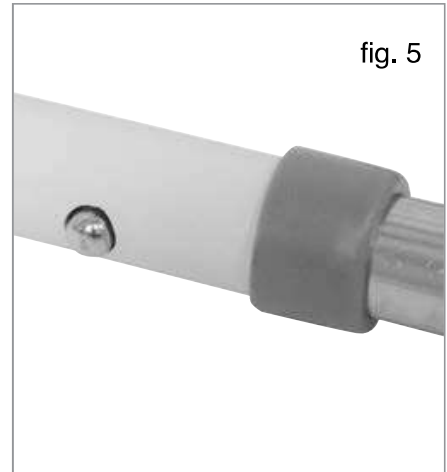
## ASSEMBLY INSTRUCTIONS

1. Lay piece C on a flat surface and slide piece A onto the tubes on piece C and push firmly until the holes align (see fig 2).
2. Secure with E-Clips (B). Make sure the E-clips are secure before proceeding (see fig. 3)

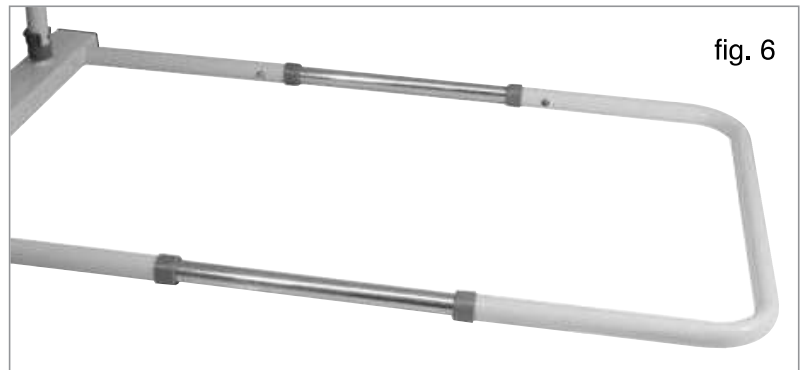


**ASSEMBLY INSTRUCTIONS (Continued)**

3. Insert extension poles (D) into the arms of piece C (see fig. 4) and slide in until the catches align with the holes (see fig. 5).



4. Attach piece E onto extension poles (D) (see fig. 6) and slide until the catches align with the holes (see fig. 5)

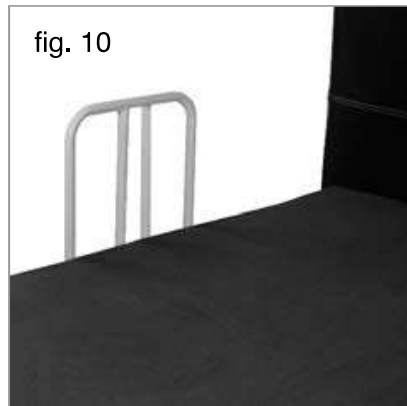
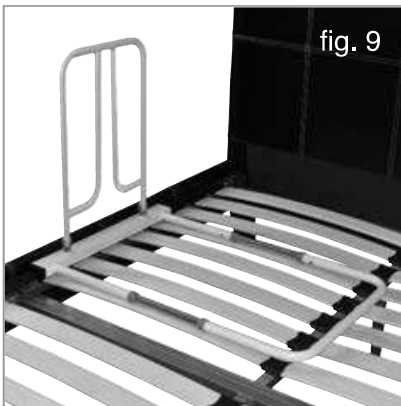


5. The catches can be depressed to allow piece E to be moved depending on the width of the bed (see fig. 7)



## ASSEMBLY INSTRUCTIONS (Continued)

6. Remove the mattress from the bed and place the assembled bed lever onto the slats, making sure that the back edge of piece C aligns with the recess of the bed (see fig 8.)
7. If not done in step 5 the width can now be adjusted to suit the size of the bed (see fig 9.)
8. Replace the mattress and the bed lever is now installed and ready to use (see fig. 10)



## CLEANING

**A useful guide to decontamination is MHRA leaflet DB2003(06).**

Do not use abrasive cleaners as this could damage the surface of the equipment. For cleaning, wipe with a clean cloth soaked in detergent solution and wring out. Depending on the detergent manufacturer's instructions the solution may be heated.

Wipe all surfaces of the equipment and the cloth should be re-immersed periodically and the detergent changed frequently. The detergent should be rinsed or wiped off using a clean cloth immersed in clean water and wrung out.

To disinfect make sure the equipment has been cleaned and dried and then wipe over with a clean cloth and a compatible liquid disinfectant. After disinfecting clean with clean water and dry.

When using detergent or disinfectants then please refer to manufacturers' instructions and if unsure then consult your local Infection Control Specialist for advice.

This equipment can be cleaned/disinfected by moist heat at 80°C for a minimum of 1 minute or autoclaved at 80°C for at least 1 minute. After cleaning or disinfecting treat all joints with a water dispersing agent, e.g. WD40.

## REISSUE

If you reissue or are about to reissue this product, please thoroughly check all components for their safety. This includes:

- Tightness of all nuts/bolts/castors and other screw in/bolt in/push in components
- Upholstery (if applicable) for security, splits, exposed staples, etc
- Straightness and integrity of all tubing and welds

**If in any doubt, please do not issue or use, but immediately contact your supplier for service support.**

**When reissuing, a risk assessment must be undertaken as to the suitability of the Bed Lever for the particular user and user's bed.**

**IMPORTANT INFORMATION**

Do not allow children or unauthorised persons to play with the equipment or use the bed transfer aid without proper supervision.

**CARE & MAINTENANCE**

Please make a safety check of the product at regular intervals or if you have any concerns.

**Aidapt Bathrooms Ltd, Lancots Lane, Sutton Oak, St Helens, WA9 3EX**  
**Telephone: +44 (0) 1744 745 020 • Fax: +44 (0) 1744 745 001 • Web: [www.aidapt.co.uk](http://www.aidapt.co.uk)**  
**Email: [accounts@aidapt.co.uk](mailto:accounts@aidapt.co.uk) • [adaptations@aidapt.co.uk](mailto:adaptations@aidapt.co.uk) • [sales@aidapt.co.uk](mailto:sales@aidapt.co.uk)**